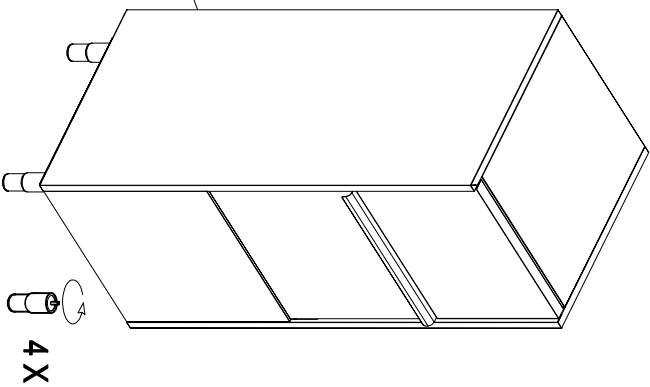
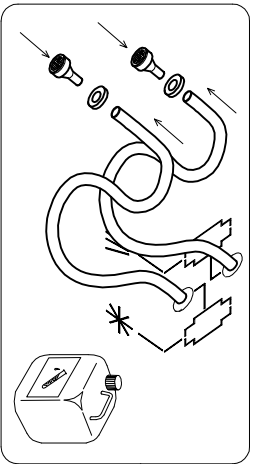


A		∅ 50mm M	A		∅ 35 mm M
B		G 3/4" M	B		G 3/4" F
C		Power supply	E		Steam exhaust



Installation layout

Designed by: M.PIERI
Date: 12/10/2018

Utensil washer

Determination:

LP5

Code:

00

Rev.:



4 X