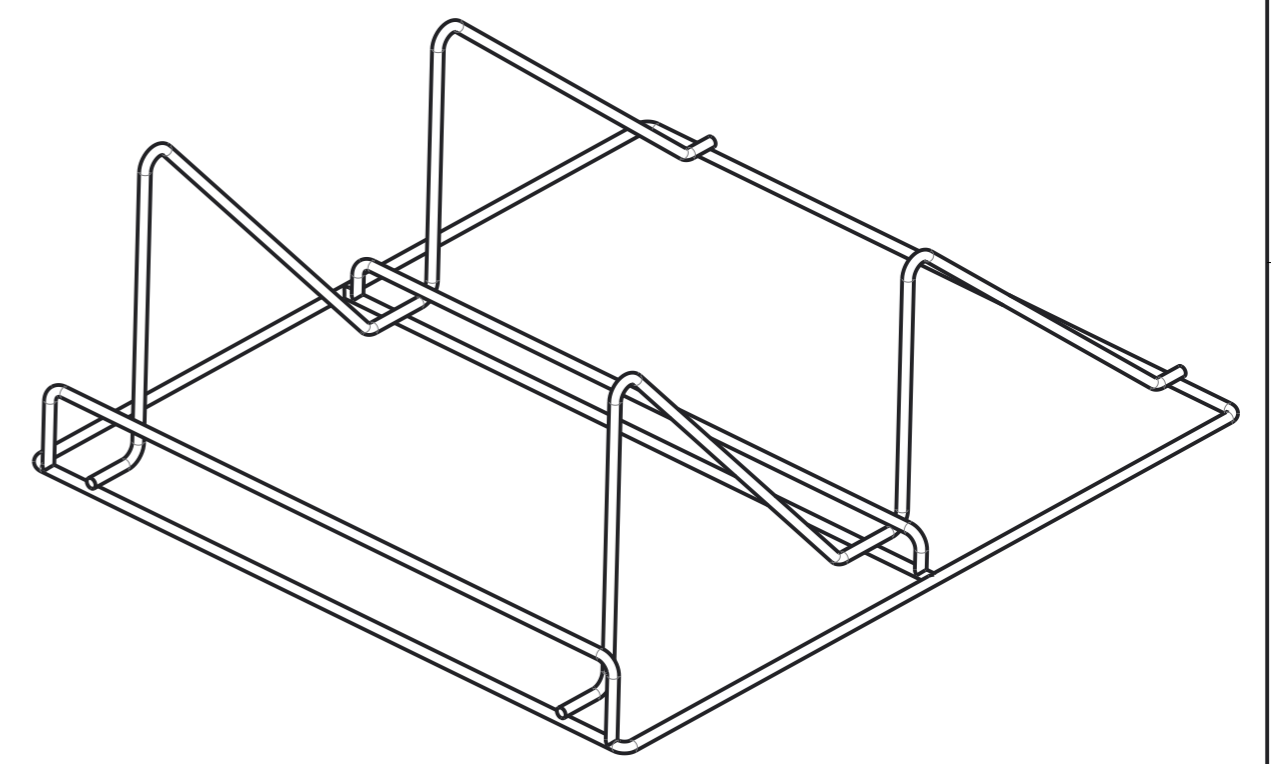
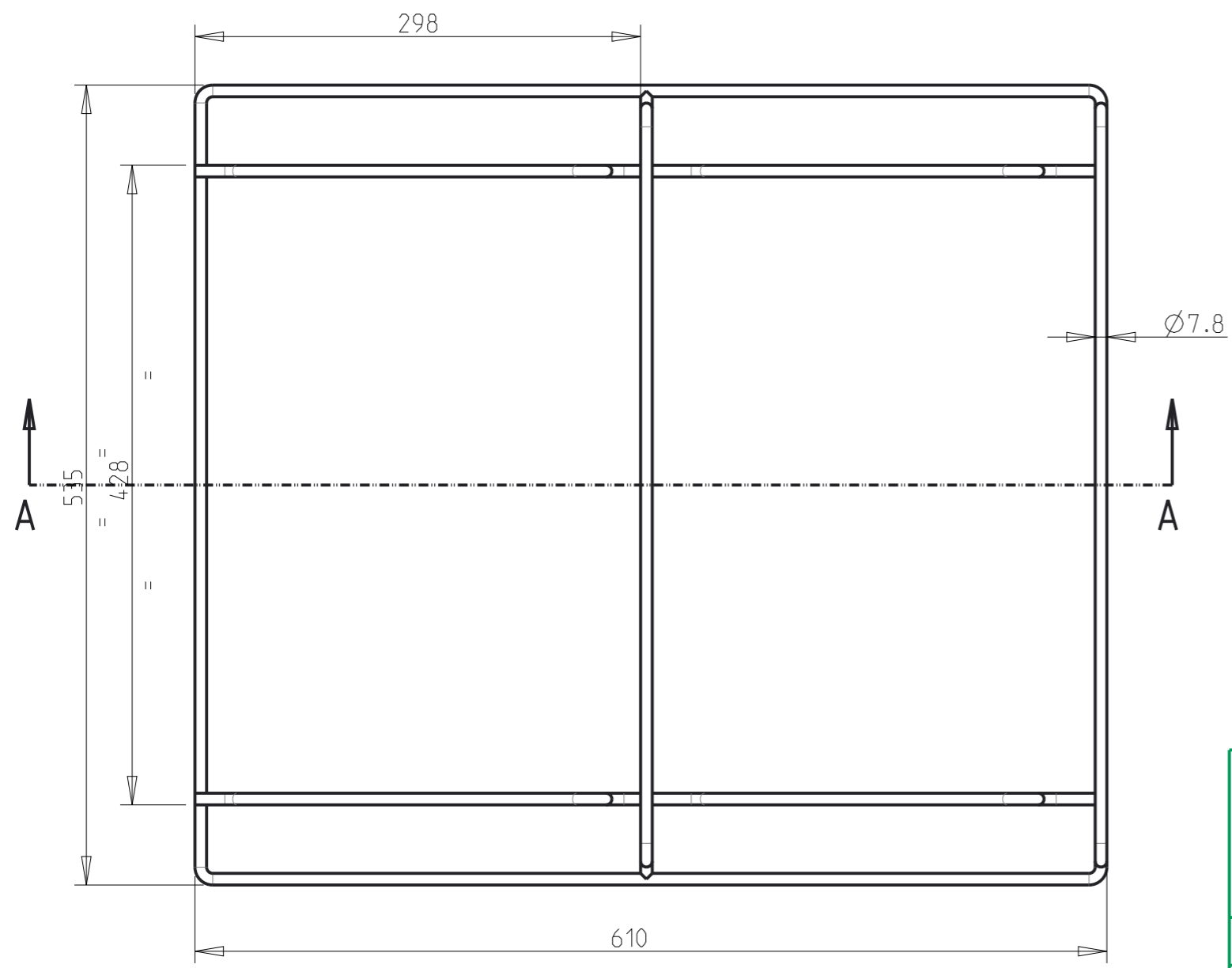
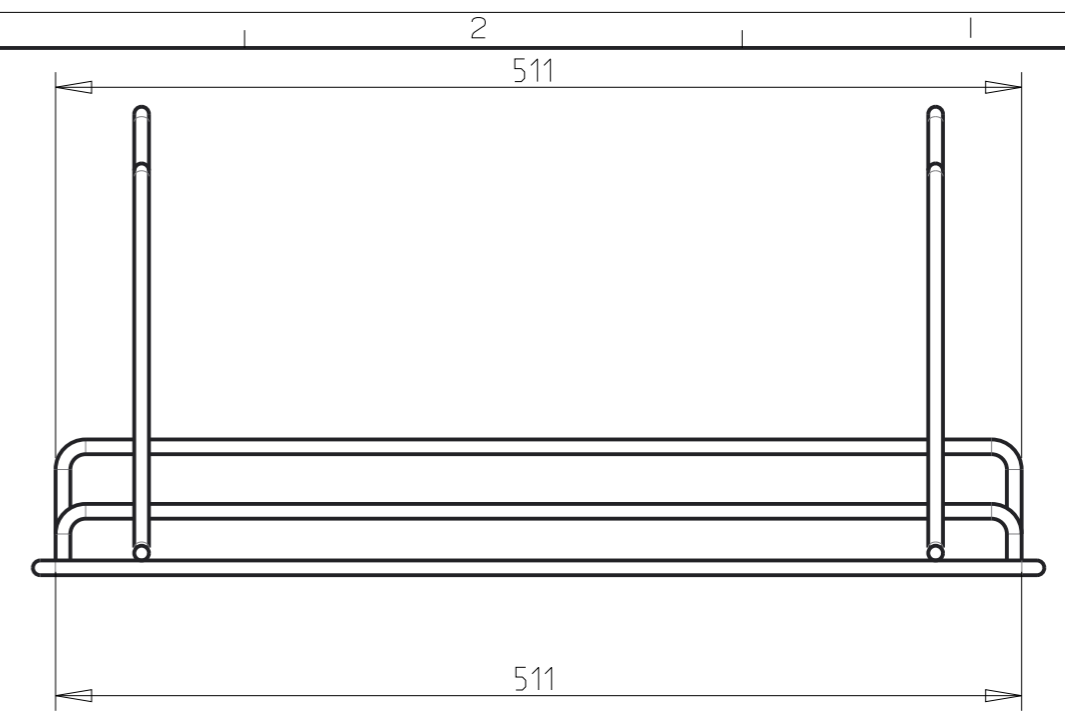
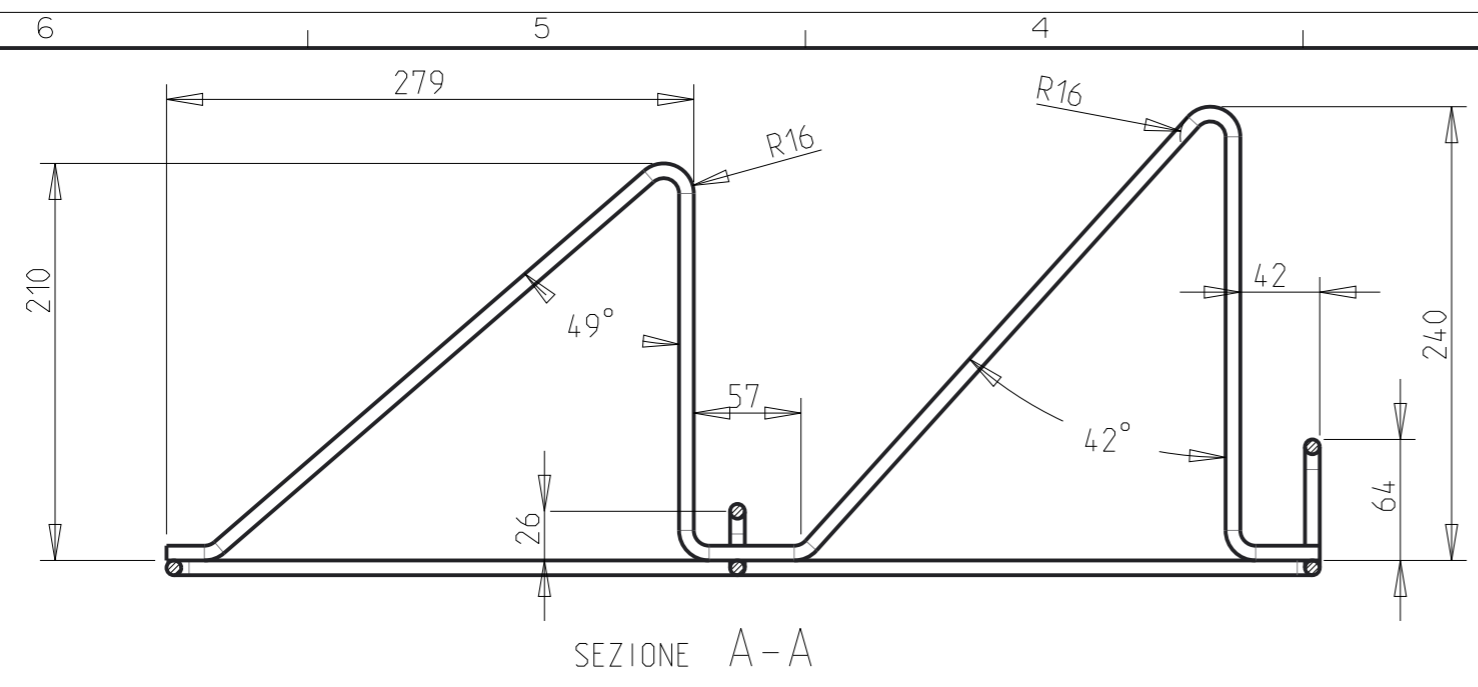


EUROTEC SRL-COLGED DIVISION. All rights reserved. Copy, reproduction or use of any part of this drawing is strictly prohibited without prior written permission.



	ATTENTION : General tollerances in according with EN 22768-1/2 class "m" Excepted where otherwise noted Maximal rugosity = 0.1 mm. <input type="checkbox"/> = CRITICAL DIMENSIONS	SUFFIX IDENTIFICATION OF STATE PART (code follows)	
		STATE LASER CUTTED OR PUNCHED MOULDED PARTIALLY BENDED (only bends with "*") BENDED	SUFFIX PZ ST PGI PG
Destinated to : LP + LA600		Object : INSERTO PER GASTRONORM E CESTA	
Designed by : M. Pieri	Date : 04.04.2019	Weight (kg): 0.002	
Checked by : -	Date : -	Material : FILO INOX AISI 304 DIAM. 7.8	Scale Sheet format A3
Validated by : -	Date : -	Mould : -	Drawing number : Code : 67906
Mod. : -	Last modify description -	Replace -	Sheet : 1 of 1 Mod. : 00

00