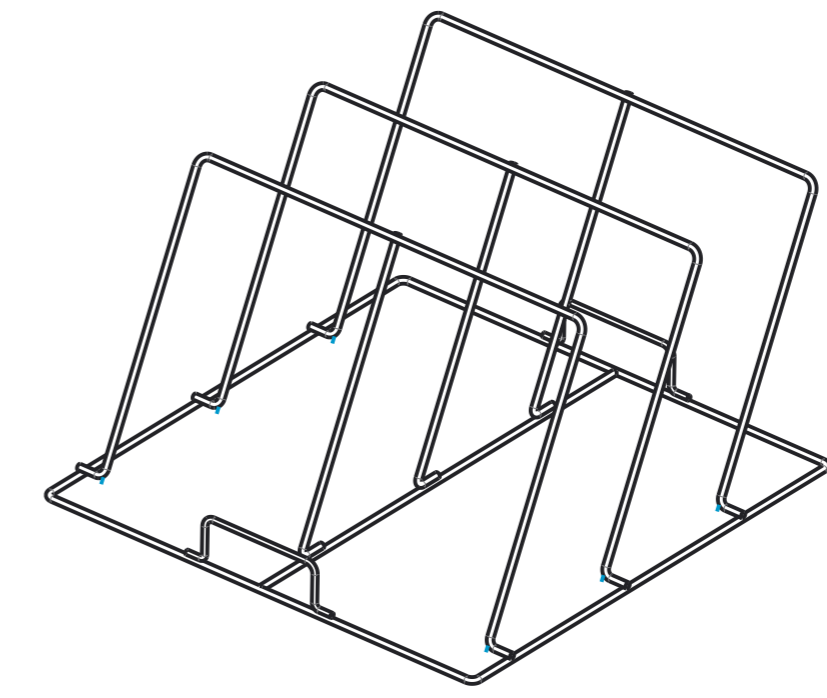
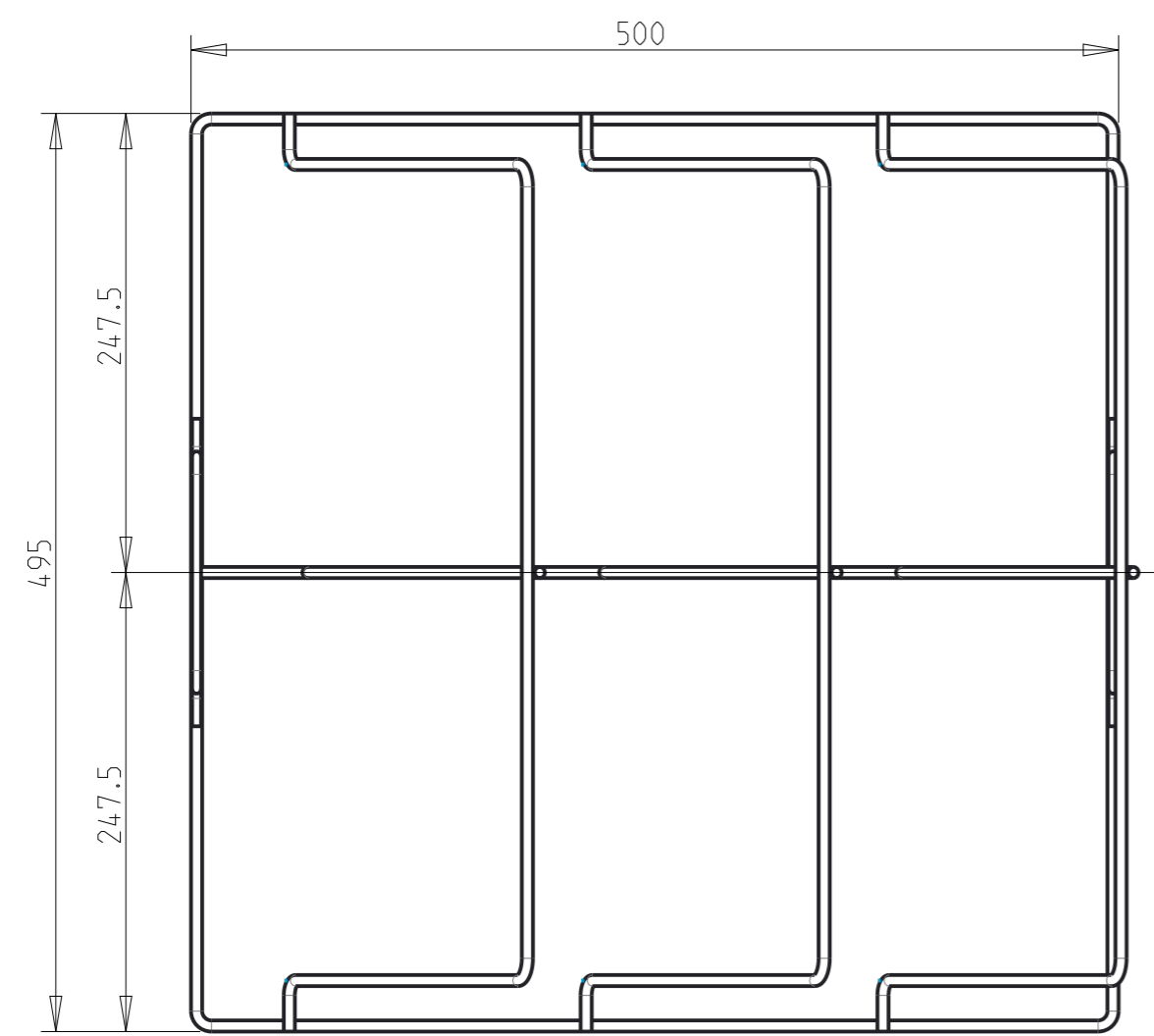
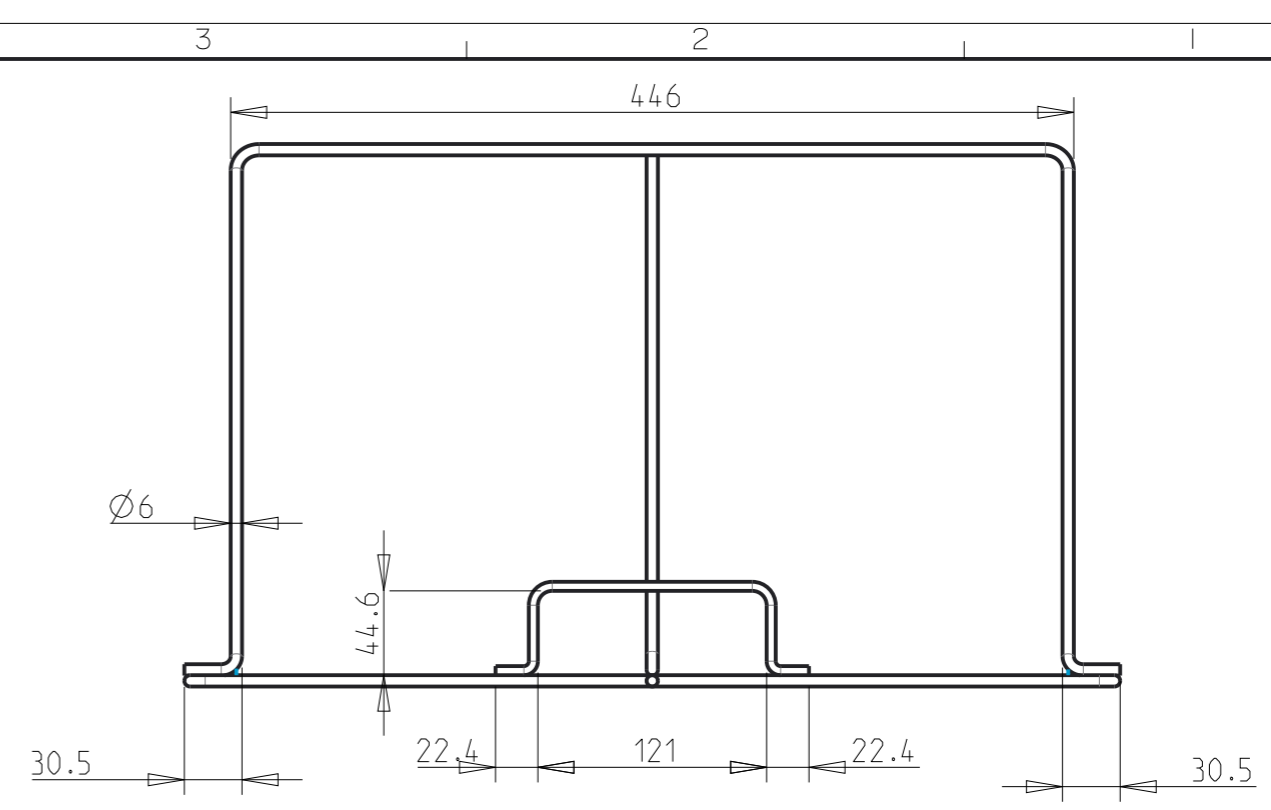
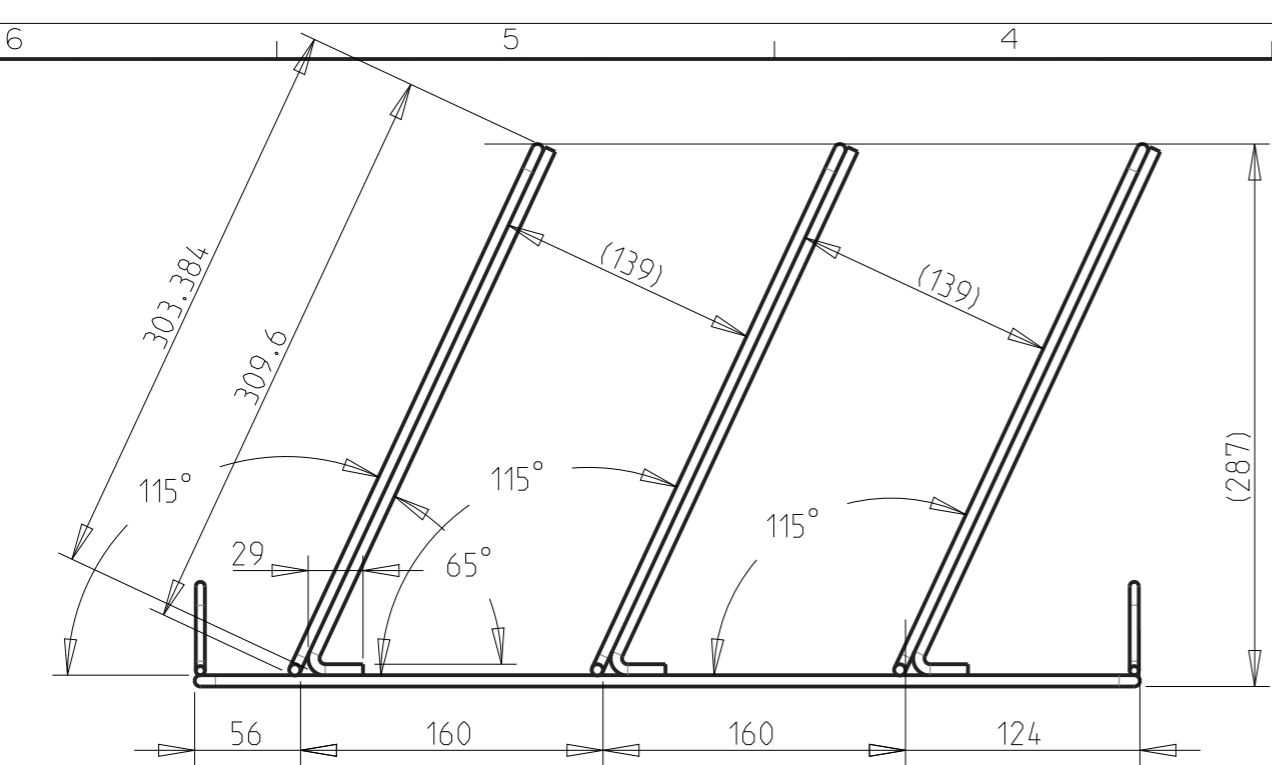


EUROTEC SRL-COLGED DIVISION. All rights reserved. Copy, reproduction or use of any part of this drawing is strictly prohibited without prior written permission.



INSERTO PER GN1/1_H100

	<p>ATTENTION : General tollerances in according with EN 22768-1/2 class "m" Excepted where otherwise noted Maximal rugosity = 0.1 mm. <input type="checkbox"/> = CRITICAL DIMENSIONS</p>	<p>SUFFIX IDENTIFICATION OF STATE PART (code follows)</p>								
		<p>STATE</p> <table border="1"> <tr><td>LASER CUTTED OR PUNCHED</td><td>PZ</td></tr> <tr><td>MOULDED</td><td>ST</td></tr> <tr><td>PARTIALLY BENDED (only bends with "**")</td><td>PGI</td></tr> <tr><td>BENDED</td><td>PG</td></tr> </table>	LASER CUTTED OR PUNCHED	PZ	MOULDED	ST	PARTIALLY BENDED (only bends with "**")	PGI	BENDED	PG
LASER CUTTED OR PUNCHED	PZ									
MOULDED	ST									
PARTIALLY BENDED (only bends with "**")	PGI									
BENDED	PG									
<p>Destinated to : LP</p>	<p>Object : INSERTO PER GASTRONORM GN1/1 H 100</p>	<p>Scale</p>	<p>Sheet : 1 of 1</p>							
<p>Designed by : M. Pieri</p>	<p>Date : 13.02.2019</p>	<p>Sheet format A3</p>								
<p>Checked by : -</p>	<p>Date : -</p>	<p>Material : FILO Ø 6 AISI 304</p>	<p>Drawing number :</p>							
<p>Validated by : -</p>	<p>Date : -</p>	<p>Mould : -</p>	<p>Code : 67907 Mod. : 00</p>							

<p>Mod. 00</p>	<p>Last modify description</p>	<p>Replace</p>
----------------	--------------------------------	----------------