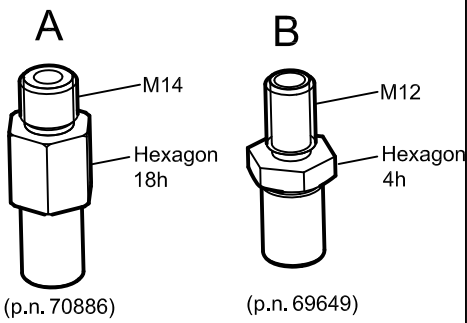


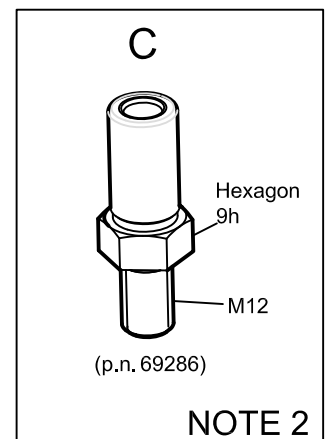
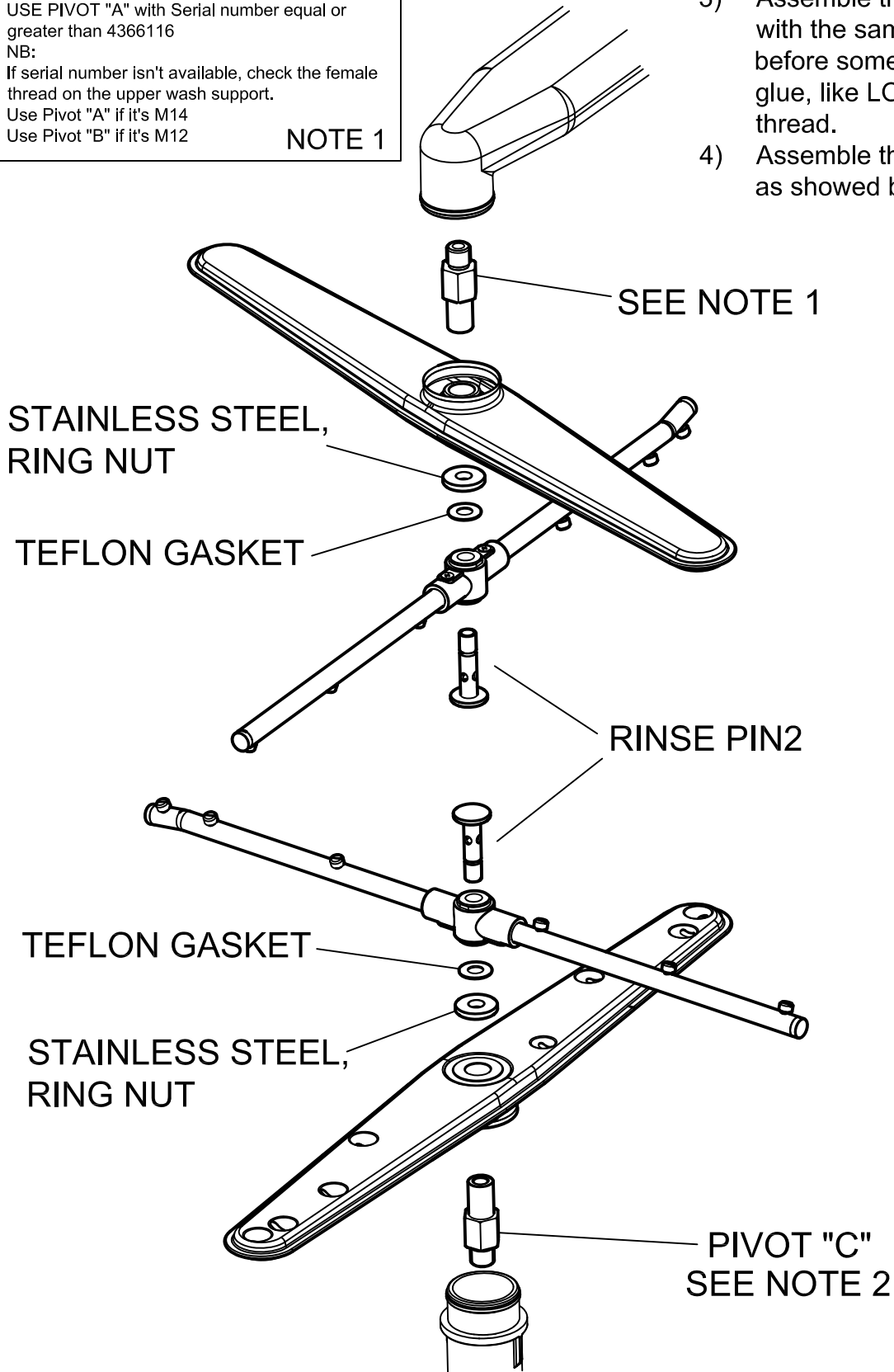
kit KWR6002 ASSEMBLY INSTRUCTION



USE PIVOT "A" with Serial number equal or greater than 4366116
 NB:
 If serial number isn't available, check the female thread on the upper wash support.
 Use Pivot "A" if it's M14
 Use Pivot "B" if it's M12

NOTE 1

- 1) Remove old WASH / RINSE arms from DISHWASHER
- 2) Use a size 19 hex socket wrench to remove the old pins from the lower and upper supports of the dishwasher
- 3) Assemble the new pins screwing with the same tool and applying before some anti-unscrewinmg glue, like LOCTITE 270, on the thread.
- 4) Assemble the other components as showed below



NOTE 2