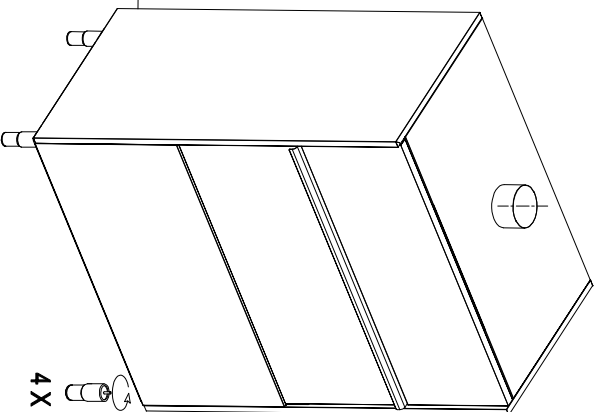
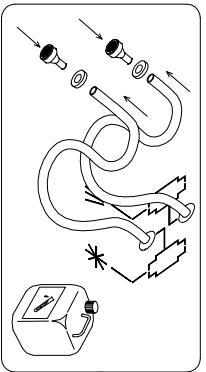


A		∅ 50mm M	A		∅ 32 mm M
B		G 3/4" M	B		G 3/4" F
C		Power supply	E		Steam exhaust



Installation layout

Utensil washer , Drain Pump

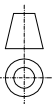
Designed by: M.PIERI

Date: 12/10/2018

Determination:

Code: LP7SP 00

Rev.:



4 X